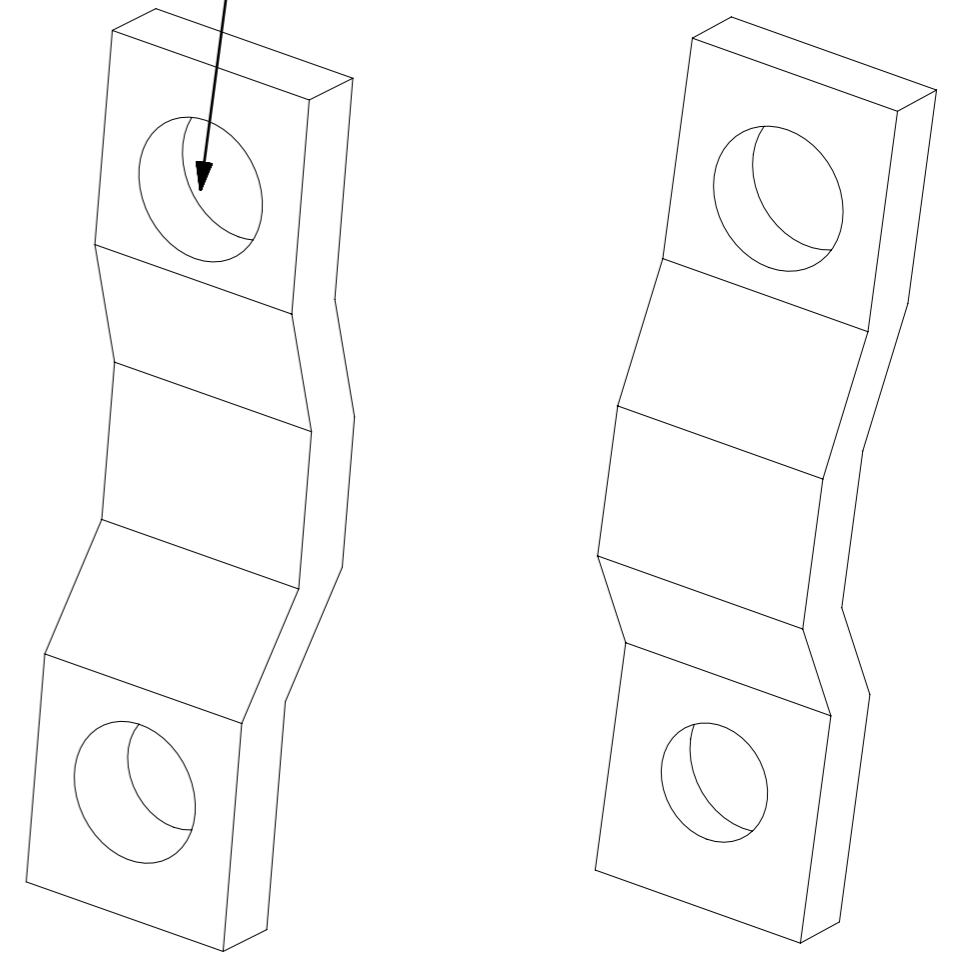


SECTION A-A

THIS HOLE TO BE DRILLED
OUT TO $\phi 10$ MM
ONE HOLE ONLY



DETAIL NO. RAD0018 CRANK ARM 43mm BETWEEN CENTRES
MATERIAL: STOCK
QUANTITY:1
FINISH: STOCK