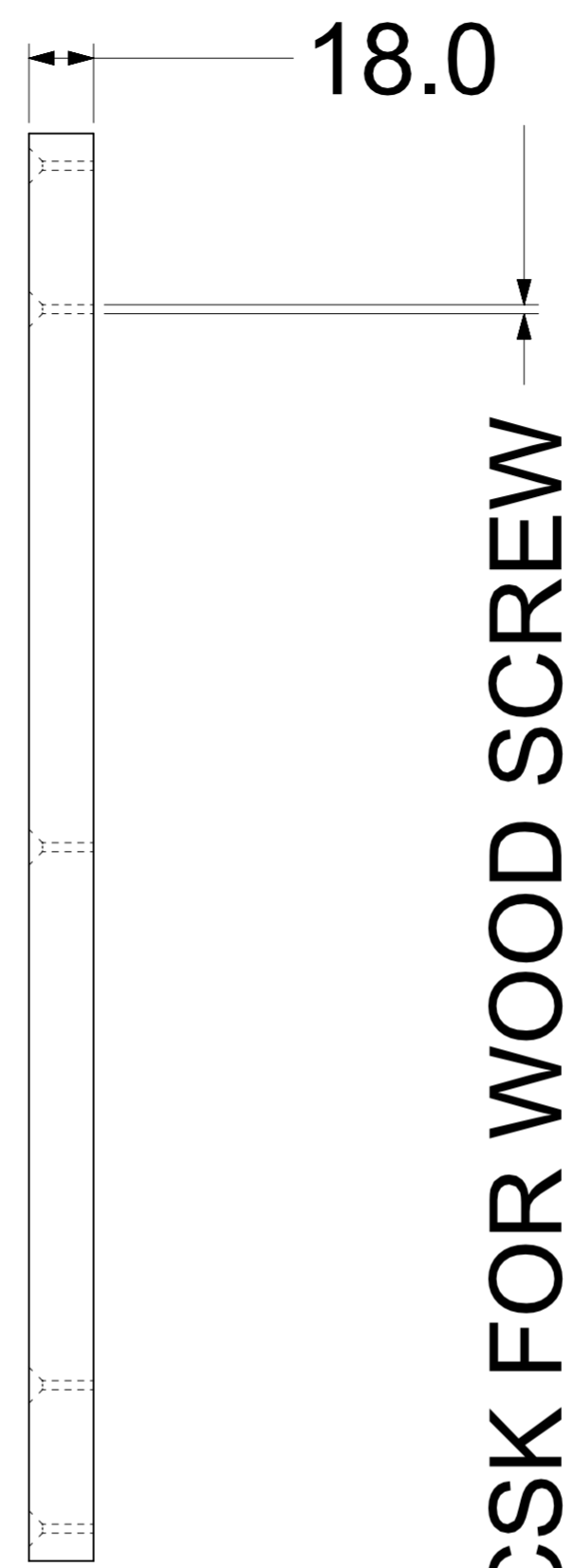
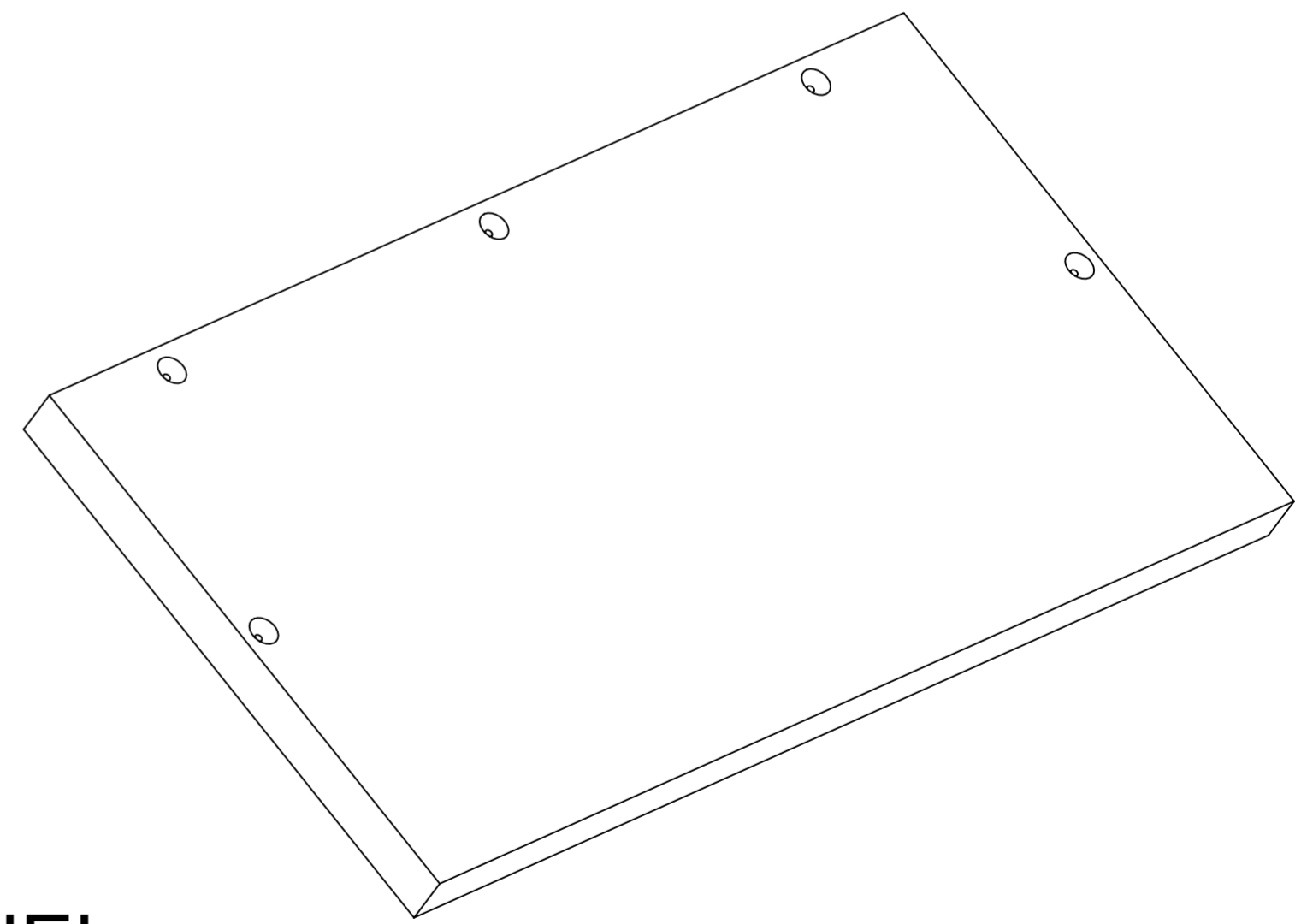


NEAREST STOCK THICKNESS
TO BE USED



Ø 2.5 CSK FOR WOOD SCREW



DETAIL NO: RAD0007 ELECTRICAL COMPARTMENT TOP PANEL
 MATERIAL: BIRCH PLYWOOD
 QUANTITY: 1
 FINISH: WHITE PAINT