

NEAREST STOCK THICKNESS
TO BE USED

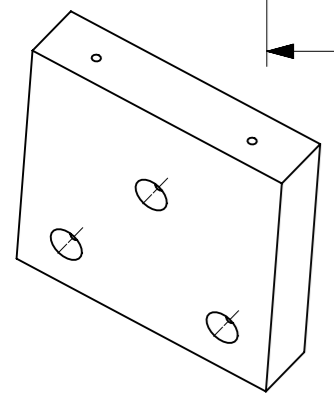
18.0

15.0

50.0

10.0

$\varnothing 2.5$ CSK FOR WOOD SCREW



DETAIL NO. RAD0020 ACTUATOR COLUMN BASE PIECES
 MATERIAL: BIRCH PLYWOOD
 QUANTITY: 2
 FINISH: WHITE PAINT